

KERSTEN®

Electrode

DE 216 L



The DE 216 L with adjustable exit angle of the air support ensures the effective elimination of existing static charge over longer ranges and is able to achieve an additional cleaning effect.

THE PRODUCT

PRODUCT BENEFITS

- Safe to touch
- Small electrode cross-section
- Vacuum-casted
- Customizable to individual lengths

CUSTOMER BENEFITS

- Plug-in system
- Longlife product
- Minimal maintenance effort
- Easy to install

WHY KERSTEN?

- Made in Germany for over 40 years
- Needs-based consultation
- Tailor-made solutions
- Very short delivery times

GENERAL

| | | | |
|--|------------------|-------|-----------------|
| Supply voltage | U | kV DC | <+6.0/>-4.5 |
| Power consumption per 1m electrode length at max. supply voltage | I _{max} | µA | 250 |
| Connection type | | | neXt® - plug-in |
| Grid width (tip distance) | | mm | 25 |
| Available total lengths | L | mm | 90 - 1440* |

DETAILS

| | | | |
|---|---|-------------------|-----------------|
| Effective distance (possible / optimal) | | mm | 10-400 / 20-100 |
| Min. distance to metal areas (lateral / in operating direction) | | mm | 10 / 40 |
| Air consumption (length 1.0m) at 0.2 - 2.5bar | | m ³ /h | 4.5 - 26.5 |
| Air connection | | mm | Ø 8.0 |
| Max. available high voltage cable length | | m | 120 |
| - Grid up to 2.0m / - Grid from 2.0m | | m | 0.1 / 0.5 |
| Minimum bend radius of cable | | | |
| - Fixed installation / Constant movement | R | mm | 15 / 30 |

CLIMATIC CONDITIONS

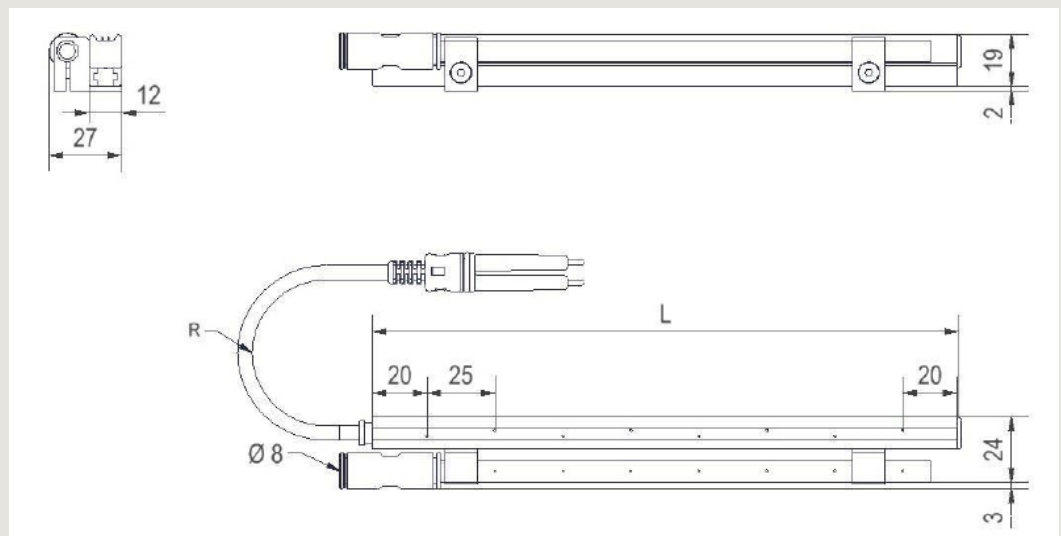
| | | | |
|--|----|---------|------------------------|
| Temperature during transport and storage | T | °C / °F | -25- +85 / -13- +185** |
| Temperature during operation | T | °C / °F | +5- +80 / +41- +176*** |
| Relative humidity / compressed air support (non-condensing) | RH | % | <80 / <60 |

DIMENSIONS

| | | | |
|--|-------|----|-------------|
| | L/W/H | mm | L / 27 / 19 |
|--|-------|----|-------------|

*active length = total length -40mm **acc. UL50 TypB / class 3K3 max. +70 °C (+158 °F) ***acc. UL50 TypB / class 3K3 max. +70 °C (+158 °F)

TECHNICAL DRAWING



All dimension measurements in mm

KERSTEN ELEKTROSTATIK GMBH

Walter-Knoell-Straße 3
 D-79115 Freiburg | Germany
 T +49 761 47944-0 | F +49 761 47944-99
 info@kersten.de | www.kersten.de

